

Serpentine Bronze™ Design on Conical Bell® Vessel Basin

14223

Product Description: Serpentine Bronze design on Conical Bell vessel basin for countertop installation, no tap hole

Required Items: 7107B-CP Decorative grid waste, petal design
7108B-CP Decorative grid waste, abstract design

Recommended Items: 9655D-P5 Wrought iron wall-mount bracket

Product Dimensions: 413 mm diameter

Material: Vitreous China

Product Weight (kg): 7.3

Fixings Included: Yes

Guarantee (Years): 25

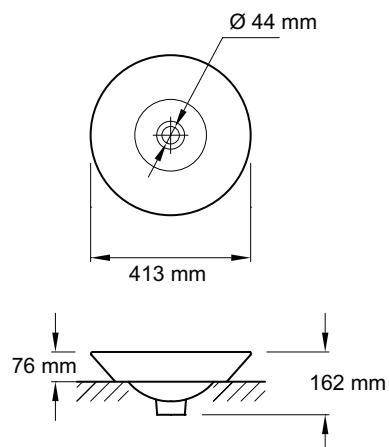
Additional Information: Rinse thoroughly and use a soft cloth to wipe the product dry after use. Soft abrasive cleaners and warm water may be used when necessary to clean your decorative products. Strong abrasive cleaners will scratch and dull the surface.

Colours:



(SP-G9)
Serpentine Bronze

Dimensions (mm)



Kohler UK

Sales and Technical:

+44 (0) 844 571 0048 (Calls cost 7p per minute plus your phone company's access charge)

info@kohler.co.uk

www.KOHLER.co.uk

THE BOLD LOOK
OF **KOHLER**®